



Residential Metal Louver Utility Doors

***Perfect for Multi-family
Balcony Storage Closet***



Proudly Crafted in the USA!

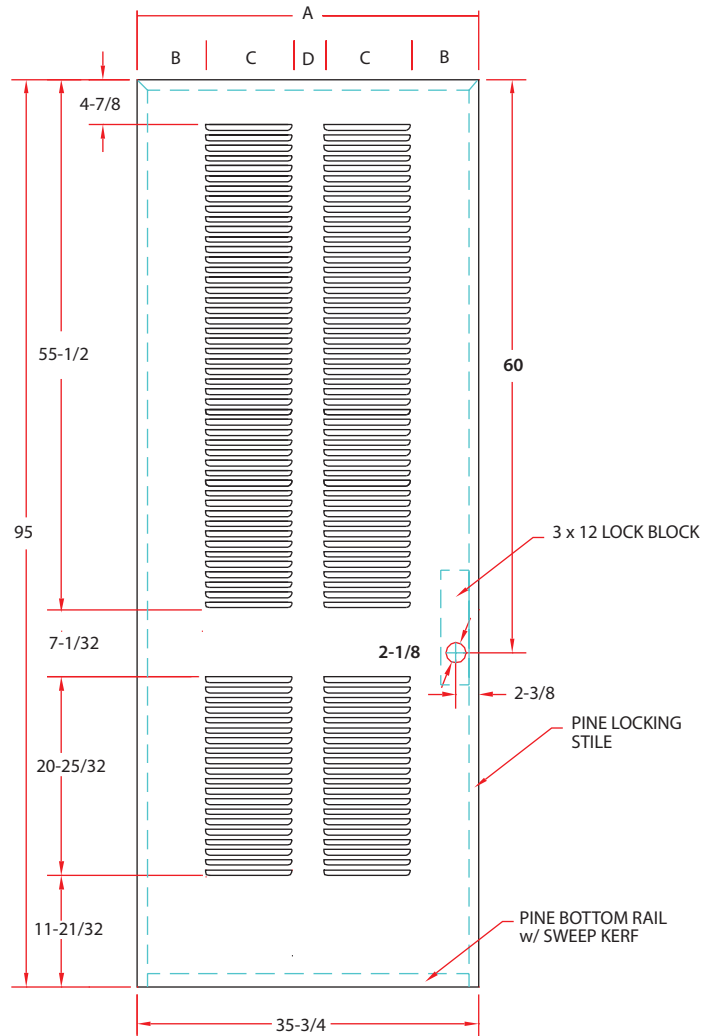
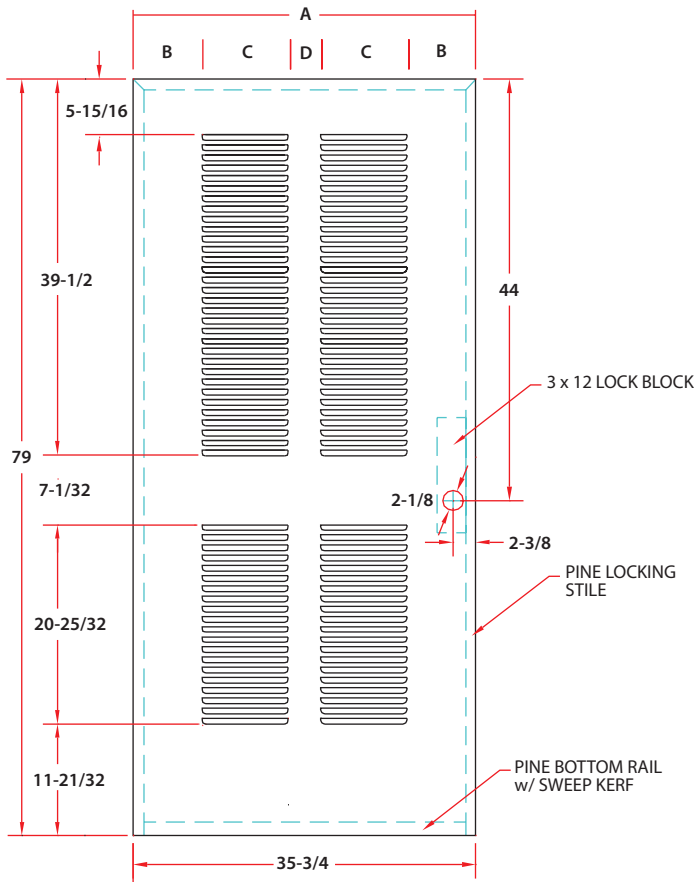


Residential Metal Louver Utility Door

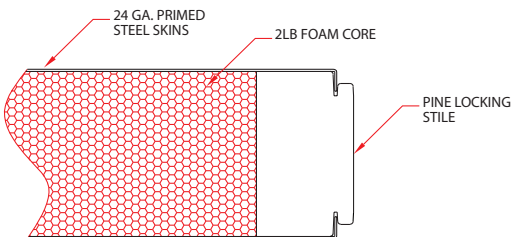
This residential steel utility door features metal louvers pressed into the skin on both sides for full ventilation. Made from 24-gauge galvanized steel with internal bracing and is pre-primed to accept finish paint. Doors have softwood stiles for easy machining and typical hardware applications. Bored for lockset 2-1/8" bore with 2-3/8" backset or available with no bore. Perfect for utility applications where ventilation is desired. Kerfed bottom rail on 1-3/4" doors accepts popular door sweeps. Doors are not fire rated.

- Integral pressed metal louvers
- Wood stiles for easy hardware application
- Single bore prep for cylindrical lockset 2-1/8" x 2-3/8"
- Also available with no bore
- Primed galvanized 24-gauge steel
- 11-11/16" bottom rail
- 1-3/8" and 1-3/4" thick
- 6/8 and 8/0 high

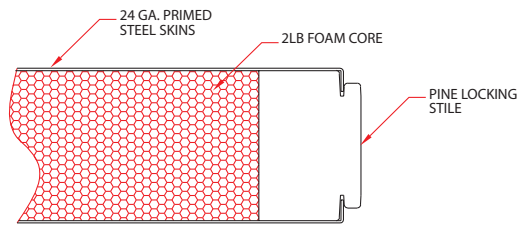




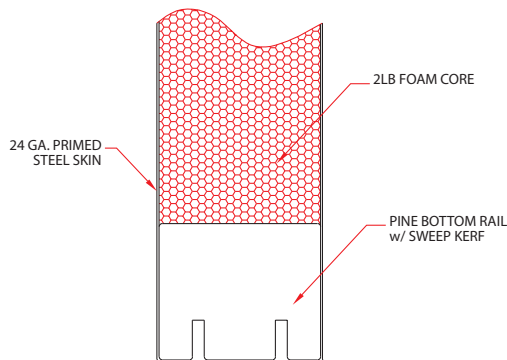
	A	B	C	D
2'0"	23-3/4"	5-3/16"	5"	3-3/8"
2'4"	27-3/4"	5-3/16"	7"	3-3/8"
2'6"	29-3/4"	6-3/16"	7"	3-3/8"
2'8"	31-3/4"	5-3/16"	9"	3-3/8"
2'10"	33-3/4"	6-3/16"	9"	3-3/8"
3'0"	35-3/4"	6-3/16"	9"	5-3/8"



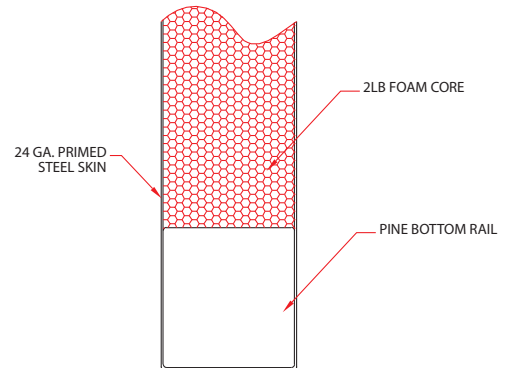
1-3/4 TOP RAIL & STILE DETAIL



1-3/8 TOP RAIL & STILE DETAIL



1-3/4 BOTTOM RAIL DETAIL



1-3/8 BOTTOM RAIL DETAIL



Residential Metal Louver Utility Doors

Perfect for Multi-family Balcony Storage Closet



Proudly Crafted in the USA!

ULD 1114